

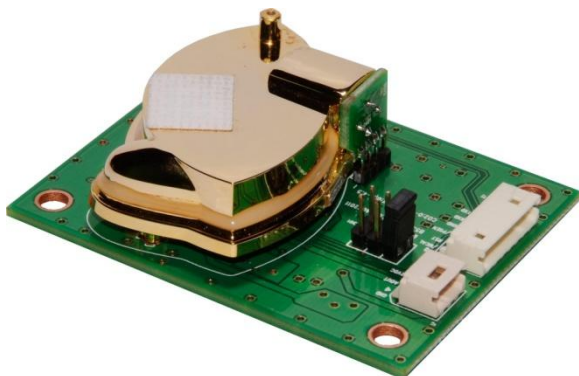
General

Version 1.5

The B-530 series is designed to measure CO₂ level in the air. Its Persistent Stability and Temperature Effect Resistance besides easy management are much favored by customers in stocks raising, scientific projects, etc.

B-530(G) model is sealed to be resistance to 99% humidity harsh environment such as factory, green houses, farms and so on.

ELT Sensor Data Sheet for B-530(G)



Features

- Non-Dispersive Infrared (NDIR) technology used to measure CO₂ levels.
- Robust to show high stability and strength under extreme condition.
- Resistant to 0~95%RH Humidity.

(0~99%RH Humidity is option)

- Pre-calibrated
- 3 and 7 pin connector is available.
- UART, AVO output is available.
- Size : 66mm x 50mm x 22.2mm

B-530(G) CO₂ Module Specifications

General Performance

Operating Temperature

-20 ~ 65°C

Operating Humidity

0 ~ 95% RH (Non-condensing)

'G' option : 0 ~ 99% RH (Non-condensing)

Storage Temperature

-30°C ~70°C

CO₂ Measurement

Sensing Method

NDIR (Non-dispersive Infrared)

Measurement Range

0 to 2,000/3,000/5,000/10,000ppm

0 to 5% vol.(Option)

Accuracy

0 to 10,000ppm : ±30ppm ±3% of reading

5% vol.: ±300ppm ±3% of reading

Step Response Time(90%)

120 sec

Sampling Interval

3 seconds

Electrical Data

Power Input

12VDC(9 to 15VDC) (±2% Regulation)

Current consumption

Normal : 33 mA / Peak : 230mA

Output connector

3Pin / 7Pin (Molex 053015)

Output

Digital

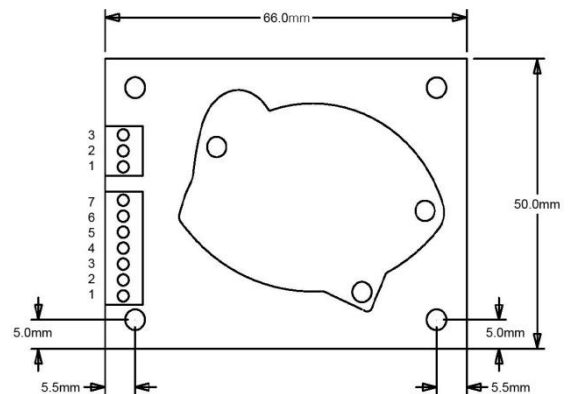
UART

Asynchronous serial, TTL Level, 38,400bps

Analog Voltage Output

VDC 0.5 ~ 4.5V (linear output)

Dimensions



Connections

Connector 1 (CN1)

Pin No.	Name	Description
1	VCC	12V (9~15V Power)
2	AVO	Analog Voltage Output
3	GND	Power Ground

Connector2 (CN2)

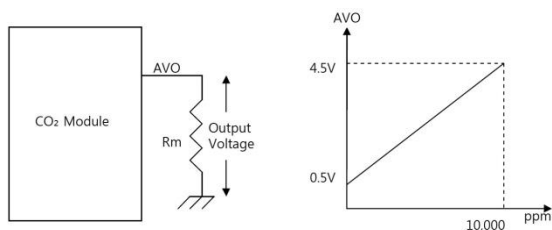
Pin No.	Name	Description
1	NC	No Connection
2	TX	UART TX
3	RX	UART RX
4	GND	Power Ground
5	NC	No Connection
6	NC	No Connection
7	ACDL	Auto Calibration

* ACDL function should not be used for Agricultural application.

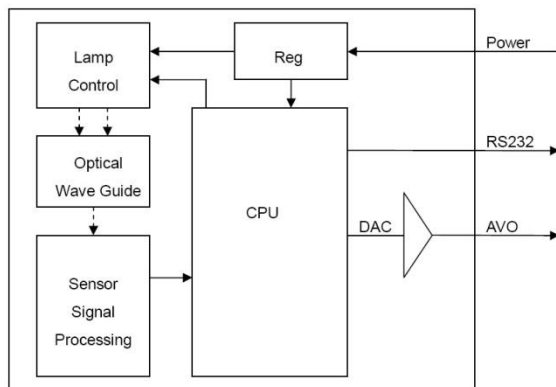
Output Description

Analog Voltage Output

Output Range	0.5 ~ 4.5V (linear output)
Output Resolution	12 bits
Minimum Load(R _m)	10 KΩ



Block Diagram



UART Protocol

Item	Description
Baud rate	38,400 BPS
Parity	No Parity
Number of Bits	8 Bits
Stop Bit	1 Bit

Data Transmit

Interval : 3 seconds

Handshake protocol : None (Data is transmitted to outer device periodically)

Data Format

B1	B2	B3	B4	BL	'p'	'p'	'm'	CR	LF
B1 ~ B4					4 byte CO2 density string				
BL					Blank: 0x20				
'ppm'					'ppm' string				
CR					Carriage return : 0x0D				
LF					Line feed : 0x0A				

EX) In case 1,255 ppm,

0x31 0x32 0x35 0x35 0x20 0x70 0x70 0x6D
0x0D 0x0A

'1255 ppm<CR> <LF>'

if the concentration value is less than 1,000, the space(0x20) characters is filled on previous empty digit.

Operating mode (Jumper selection)

Jumper "D" :Factory calibrated operating mode

Jumper "F" :ACDL(Self-recalibration)operating mode

Jumper "Z" :Manual recalibration mode

(Re-cal the factory calibration."D")

*** Refer ACDL/MCDL user manual to find detail information.**

ELT SENSOR Corp.

ChunuiTechnopark 101-909)36,Bucheon-ro 198beon-gil,
Wonmi-gu,Bucheon-si, Gyeonggi-do, 420-857,Korea
Phone : +82-32-719-8055 Fax : +82-70-8677-8055
<http://www.eltensor.co.kr>

Subject to change without notice. Printed in KOREA
2016ELT SENSORAll rights reserved.
2016 July.